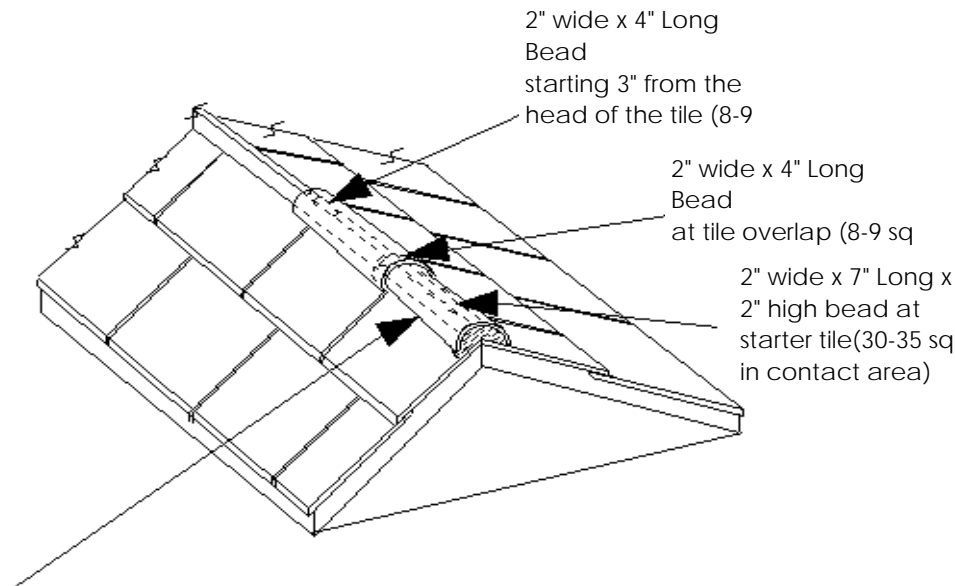
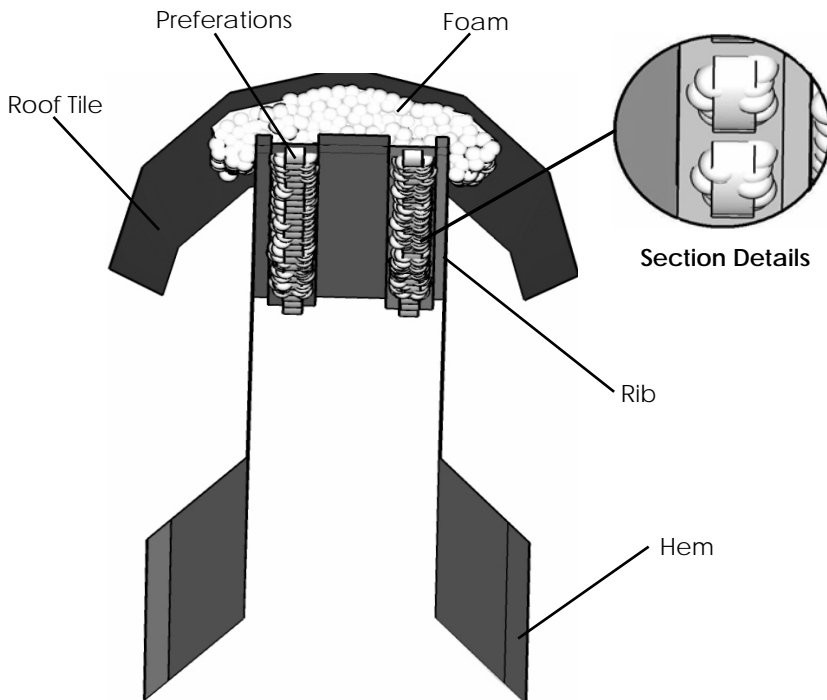


Two Paddy Placement Hip and Ridge Tile



Note:
Starter tile at the hip or ridge needs to be a large paddy



Details and Specifications

Recommended Installation by
Polyfoam Products

For more detailed information on
limitations and installation
please contact Polyfoam Products
at 1-888-774-1099

or visit their website at
<http://www.polyfoam.cc>

Important

For more detail please refer
to your local county building codes

Choose the right profile height depending
on the tile height. For more information
please refer to the East Coast Metals
Channel Chart.

Patent:

US D583,965 S
US Patent Pending 11614190

State Approval:

FL5374-R1
Evaluation Report E102040.08.08

Section Details:

Foam expanding and locking through
the Trim Lock™ preferations

This installation sheet does not constitute
the users own workplace risk assessment,
which is required under OSHA
(Occupational Safety and Health
Administration)



Please handle with caution

Features and Benefits

- Interlocking Bond
- Highest Uplift Values of any system
- Hemmed Edges for improved safety
and rigidity



2301 West 8th Lane - Hialeah, Florida 33010
Tel: 305-885-9991 Fax: 305-885-9008
<http://www.eastcoast-metals.com>

TRIM LOCK™ METAL INSTALLATION GUIDE

F600