

Order Date:

Customer:

Phone:

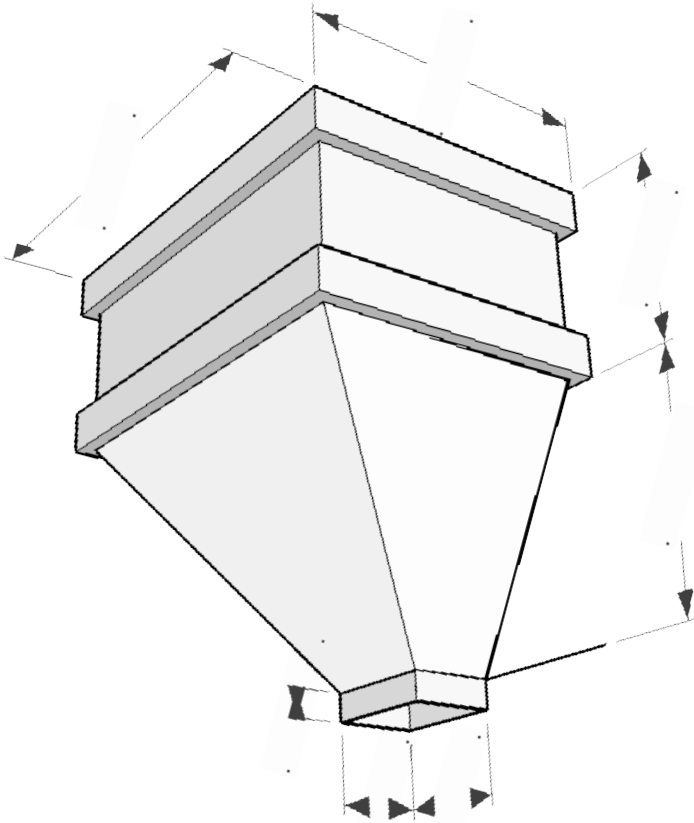
PO/SO Number:

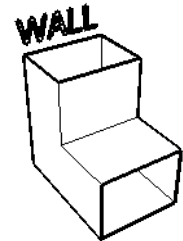
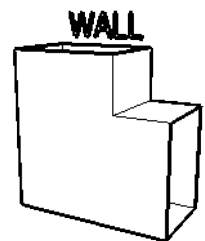
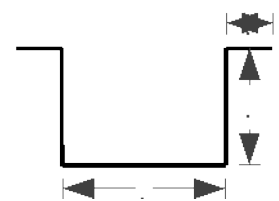
Stock Material Color/Gauge:

Stock Material Stretch:

Qty of Pieces:

Price/Ea:

**LEADER HEAD**

**DOWNSPOUT**

**ELBOW -A**

**ELBOW -B**

**STRAPS**


Notes

**MUST BE PREPAID; NO RETURNS,  
EXCHANGES OR REFUNDS ON  
CUSTOM ORDERS**

**APPROVAL SIGNATURE**