

Order Date:

Customer:

Phone:

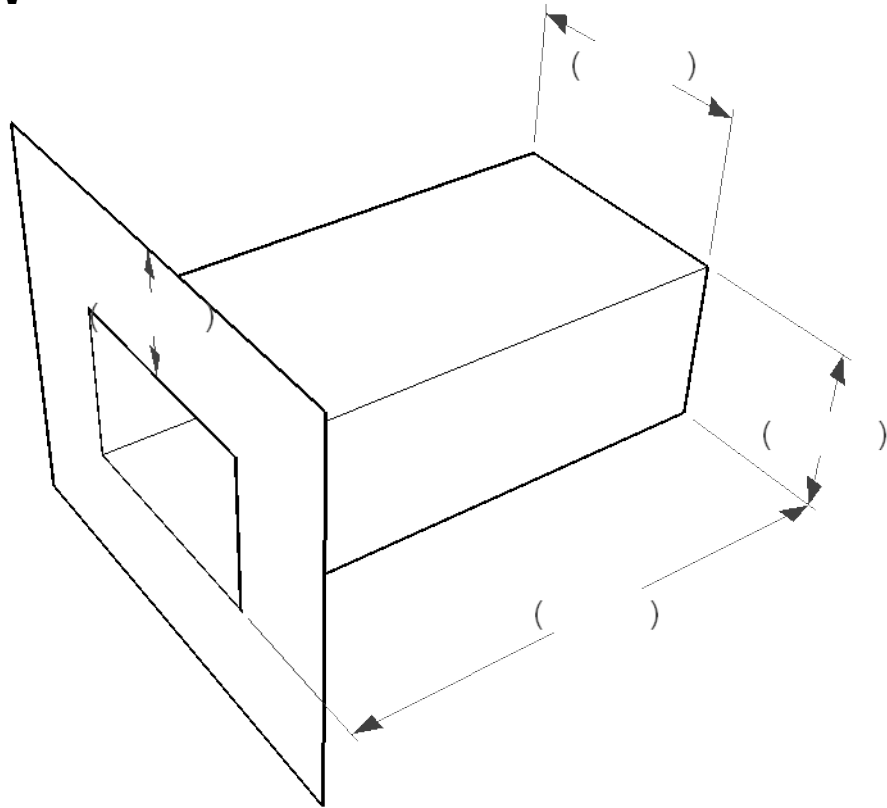
PO/SO Number:

Stock Material Color/Gauge:

Stock Material Stretch:

Qty of Pieces:

Price/Ea:

SCUPPER OVERFLOW

Notes

**MUST BE PREPAID; NO RETURNS,
EXCHANGES OR REFUNDS ON
CUSTOM ORDERS****APPROVAL SIGNATURE**