

Order Date:

Customer:

Phone:

PO/SO Number:

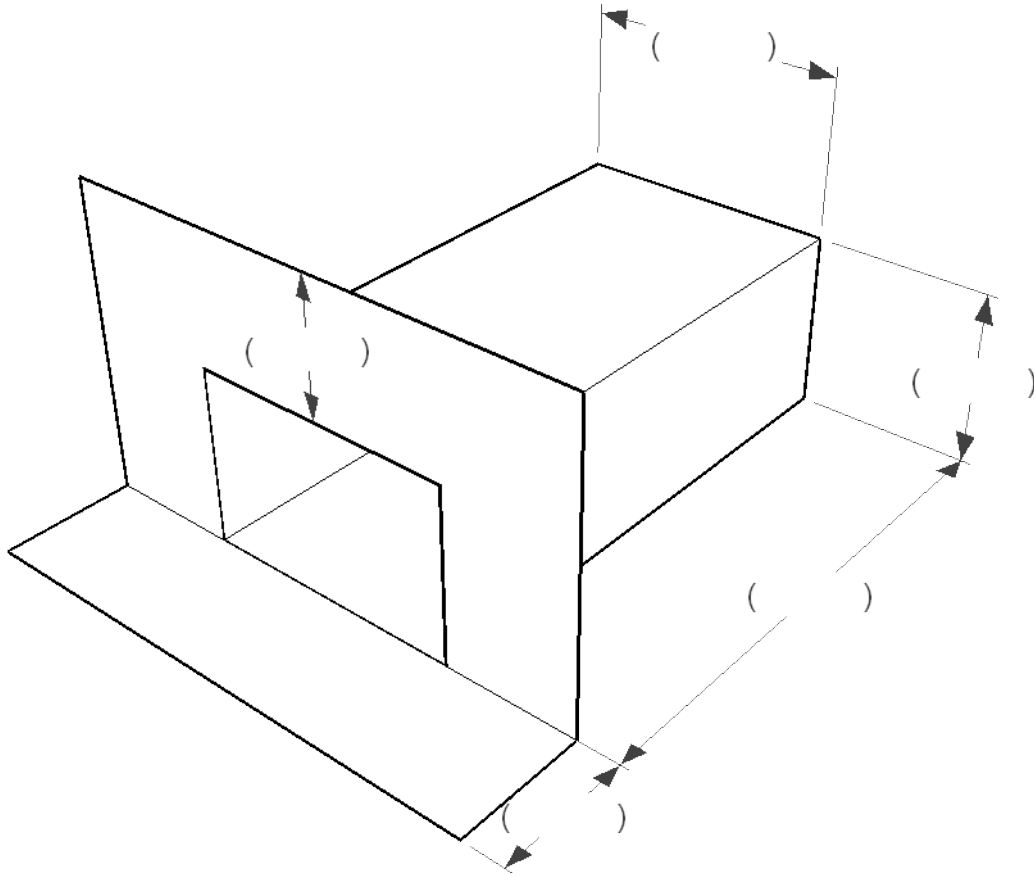
Stock Material Color/Gauge:

Stock Material Stretch:

Qty of Pieces:

Price/Ea:

SCUPPER



Notes

**MUST BE PREPAID; NO RETURNS,
EXCHANGES OR REFUNDS ON
CUSTOM ORDERS**

APPROVAL SIGNATURE